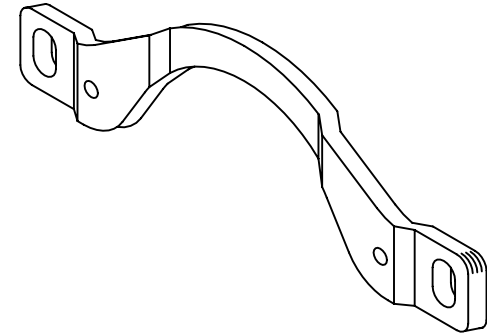
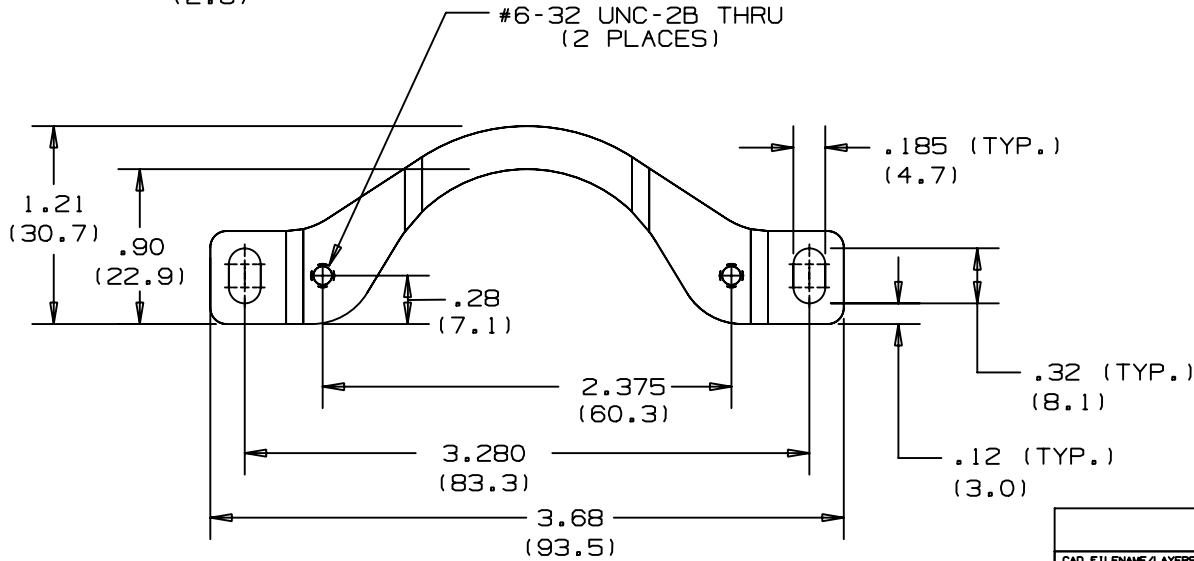
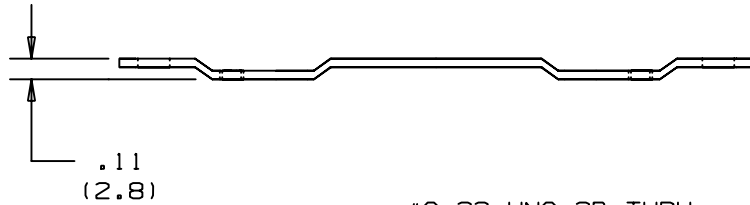


THIS COPY IS PROVIDED ON A RESTRICTED BASIS AND IS NOT TO BE USED IN ANY WAY DETRIMENTAL TO THE INTERESTS OF PANDUIT CORP.

NOTES:

1. SEE CURRENT PRICE SHEET FOR PART NUMBER SUFFIX DESIGNATION FOR PACKAGE SIZE.

PANDUIT PART NUMBER	2 SCREW FASTENERS PROVIDED FOR MOUNTING JBA.	WEIGHT lb/100 pcs. (g/100 pcs.)
JBA	#6-32 x .88 LONG SELF TAPPING F.H.M.S.	1.76 (800)



WBUS-JBADAPTER

CAD FILENAME/LAYERS
DIMENSIONS IN PARENTHESIS ARE METRIC

PANDUIT CORP. TINLEY PARK, ILLINOIS

JUNCTION BOX ADAPTER (JBA)

UNLESS OTHERWISE SPECIFIED,
DIMENSIONAL TOLERANCES ARE:
(.X) ± .03 (.XXX) ± .01 (.2)
(.XX) ± .03 (.8) ANGLES ±

UNLESS OTHERWISE SPECIFIED,
ALL DIMENSIONS ARE GIVEN
IN INCHES, THIRD ANGLE PROJECTION.

DRAWN BY
LDB
DATE
7-23-86
CHK'D
WJB

MAT'L:
20 GAGE (.040")
GALVANIZED
STEEL

SCALE
FULL
DRAWING NO.
34018-8
DWG
SIZE
A

REV	DATE	BY	CHK	DESCRIPTION	ECN	R	CUST	SUP
R	7-23-86	LDB	WJB	RELEASED TO PRODUCTION	34018-8	R	WJB	